



MOM FRIENDLY. DAD READY.™



SEDONA ISLAND ASSEMBLY
INSTRUCTIONS

SEDONA ISLAND ASSEMBLY INSTRUCTIONS

IMPORTANT SAFEGUARDS



WARNING

Two to three people are needed to set up the island. Failure to do so may result in injury.



WARNING

Do not store or use gasoline or other flammable liquids or vapors in the vicinity of this or any other appliance.



To reduce the risk of fire, electrical shock or personal injury follow the instruction contained in this guide carefully. Do not omit any steps.



Never attempt to lift the island by the counter top as serious damage may occur.



To prevent electrical shock use only a three pronged power extension cord, do not remove the grounding prong, do not use an adapter. Use an extension cord rated for outdoor service such as SJTW.



Plan your island location prior to beginning any set up. The island must be installed and leveled in its final location. Moving the island once complete is not advised as damage will occur.

RECOMMENDED TOOLS:



A Level, a Phillips and a Slotted Head screwdriver, and an Adjustable Wrench. An Electric drill with a Phillips head fitting is useful for uncrating the panels. A hole drill is needed if you would like to provide an alternate extension cord or drainage port.

SEDONA ISLAND ASSEMBLY INSTRUCTIONS

Congratulations on your purchase of the SEDONA by LYNX™ island package cooking center. The fully featured premium outdoor kitchen can be created in no time at all. The Mom Friendly, Dad Ready™ cooking products are designed with the family in mind. The grills are crafted by Lynx Grill Specialists at our factory in Southern California. Each Sedona Grill displays the meticulous fit and finish and high-quality material that have made Lynx products favorites of grilling enthusiasts.



WARNING

Before you begin the island installation you need to plan ahead. Some things to consider:

POWER SUPPLY:

Where will the power enter your island?

A 1-1/2 hole is provided in the base panel for an extension cord to pass. If another location is desired you will have to drill a hole into the side or back panels. The extension cord should be brought into the enclosure before the base is leveled and the side panels assembled.

Can the base be positioned over an existing 110 VAC electrical outlet so an extension cord will not be needed?

Should a qualified electrical technician be provided for this work? It is recommended.

ISLAND ORIENTATION:

From what direction are the prevailing winds coming?

It is important for proper operation that winds do not blow directly on the rear of the grill.

Consider positioning the island to take advantage of natural wind breaks.

LEVELING THE ISLAND:

Can the grill be leveled properly in its final location?

The base has adjustable legs that must be used to level the island before the panels and top are installed.

Is the island installed on solid ground or pavers so the adjustable feet will not sink in over time?

If the island is not leveled correctly the panels will be misaligned and cannot be corrected once assembly is complete.

Once assembly is completed the island cannot be moved.

ASSEMBLING THE ISLAND:

Do you have an assistant or two to help in the assembly?

You will need assistance holding panels in place while assembling, and for installing the counter top.

The top panel is heavy and we don't want anyone hurt while assembling the island.

INSTALLING THE APPLIANCES:

The side burner is equipped with 2 drainage tubes. These must be replaced with the 2 longer tubes found in the "Open Me First Box" in order for the drains to reach the hole in the base panel.

Plan for the drain position. Can the tubes be positioned to drain properly?

The grill and side burners need proper connections to the gas supply.

Do you need a qualified technician to assemble and leak test the gas connections? It is recommended.

The refrigerator should be leveled during installation and allowed to sit at rest for at least 2 hours before plugging it in.

If you have any questions or comments please contact Lynx Customer Care:



Lynx Professional Grills

5859 Rickenbacker Rd.

Commerce, CA 90040

Lynx Customer Care 888.289.5969

SEDONA ISLAND ASSEMBLY INSTRUCTIONS

PART NUMBER	DESCRIPTION	PHOTO	SPECIFICATIONS
1 (14044)	TANK RETAINING WASHER		1/4 X 11/16 2 EA.
2 (14014)	TRANSFORMER /BATTERY MOUNTING SCREWS		8-32 X 3/8 TRUSS 4 EA.
3 (14009)	SIDE BURNER MOUNTING HEX NUT		1/4-20 SS 2 EA
4 (32730)	SIDE BURNER MOUNTING SCREW		1/4-20 X 1-1/4 PH 2 EA.
5 (14012)	ACCESS DOOR FRAME MOUNTING SCREWS		1/4-20 X 3/8 PH 4 EA.
6 (14030)	HEX BOLT		1/4-20 x 1/2, 2 Ea.
7 (34264)	TANK RETAINER FINGER SCREW		1/4-20 x 1-1/2 2 EA.
8 (34396)	ADJUSTABLE FEET		6 EA.
9 (34395)	WING NUT		3/8-16 10 EA.
10 (34397)	WING BOLT		3/8-16 x 2 4 EA.
11 (34333)	COUNTER TOP MOUNTING CLAMP		2 EA.
12 (80758)	ACCESS DOOR FRAME MOUNTING BRACKET (Note weld nut location)		4 EA.
13 (80759)	SIDE BURNER MOUNTING BRACKET (Note weld nut location)		2 EA.
14 (34332)	SIDE BURNER MOUNTING BRACKET		4 EA.

SEDONA ISLAND ASSEMBLY INSTRUCTIONS

STEP 1

Unpacking the Crate

Using a manual or power Philips head screwdriver, remove all of the screws used to secure the top cover of the crate. Remove the island bottom, rear, front and two side panels from within the crate.



We recommend 2 to 3 people perform setup operations.



Island Base

STEP 2

Position and Level the Base



Place the island base on a level surface in it's final location and proceed to level it in all directions. The bottom panel has adjustable feet for this purpose.

DO NOT OMIT THIS STEP. If the base is not leveled correctly the island will be misaligned. The base cannot be leveled and the island cannot be moved once the assembly is finished. If you need to reposition the island you will have to disassemble it and start again.



Leveling Feet

SEDONA ISLAND ASSEMBLY INSTRUCTIONS

STEP 3

Assembling the Rear & Side Panels

Assemble the rear panel to the bottom panel by placing the corners of the back panel on top of the bottom panel corners and push them firmly together.



While one person holds the rear panel in place, attach a side panel to the rear panel loosely using the 2 wing-nuts (Part No. 9), turned in about 4 full turns. This will allow the panel to stay loose enough to align the rest of the panels and hardware.



STEP 3A Insert Back Panel Onto Base



STEP 3B Align



STEP 3C Press

SEDONA ISLAND ASSEMBLY INSTRUCTIONS

STEP 4

Assemble the Front Panel

With one person holding the rear and side panel in place, assemble the front panel to the bottom by placing the front panel corners on top of the bottom panel corners and pushing them firmly together

Tilt the front edge of the side panel away from the bottom panel to allow the front panel mounting brackets to pass by threaded mounting screws on the side panel. Push the side panel into position and attach to the front panel loosely with 2 wing nuts (Part No. 9).



Push the remaining side panel into position and attach it to the front and rear panel loosely with 4 wing nuts (Part No. 9). Clamp both side panels to the front and rear panels using 4 wing bolts (Part No. 10) and clamps (Part No. 14). After tightening the clamps go back and tighten the 8 wing nuts (Part No. 9) to secure the side panels to the front and back panels.

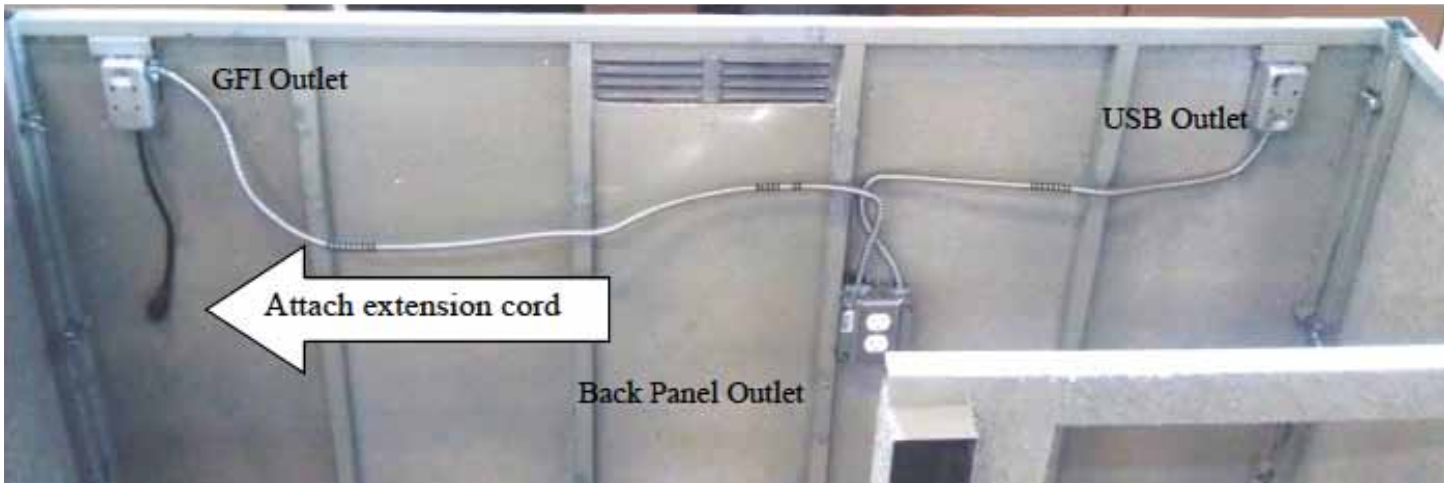


SEDONA ISLAND ASSEMBLY INSTRUCTIONS

STEP 5

Overview of the Island's Electrical System

Now that the island wall assembly is complete, familiarize yourself with the location of the electrical outlets. The electric outlets come pre-wired from the factory. The photo below shows the position of the 110 VAC GFI outlet on the left rear wall, the back panel center outlet for the refrigerator and grill power supply, and the combination USB charging station and 110 VAC power outlet on the right.

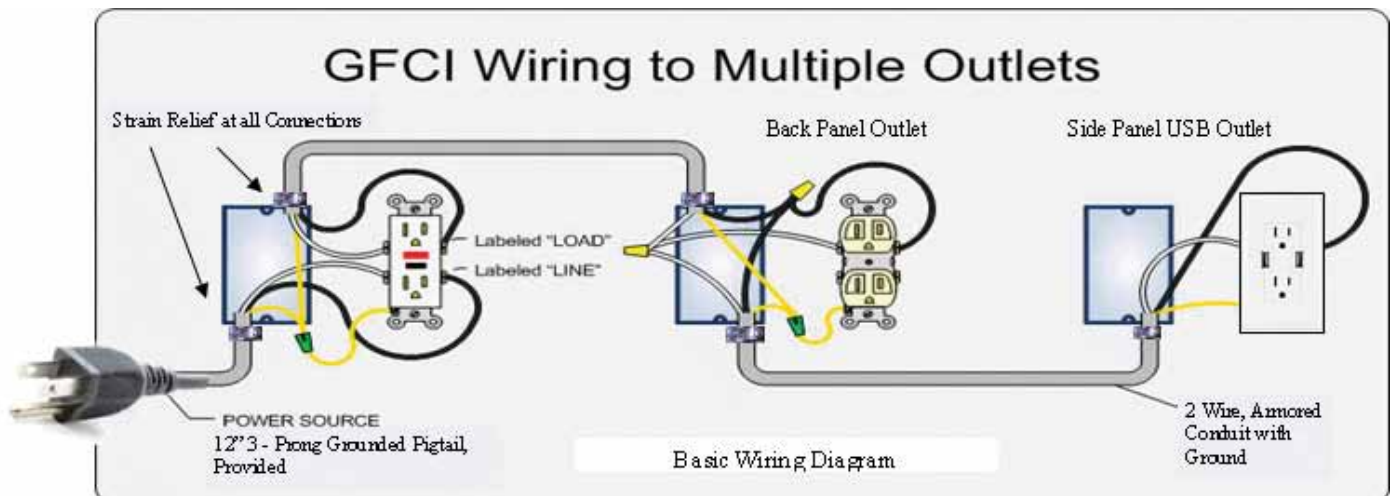


To prevent electrical shock use only a three pronged power cord, do not remove the grounding prong, do not use an adapter. Use a UL approved extension cord rated for outdoor service such as SJTW.



Before installing the grill and accessories attach your extension cord into the GFI outlet. Do not plug the extension cord into a power source until you have completed the equipment installation.

The island wiring diagram is shown below. If you have any questions please contact LYNX customer care or consult a professional electrician.

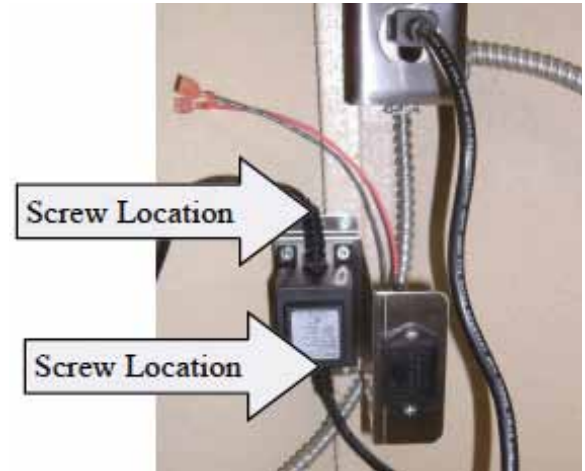


SEDONA ISLAND ASSEMBLY INSTRUCTIONS

STEP 6

Mounting the Transformer

Locate the 4 transformer mounting screws (Part No. 2) and the transformer/battery bracket. The transformers are found in the packaging inside the grill and side burner packaging. Mount the transformer on the rear panel support frame near the rear panel outlet using the pre-drilled holes provided. Install the side burner battery bracket (not shown) below the transformer in the same manner (see page 13).



STEP 7

Installing the Drawers and Door Storage System

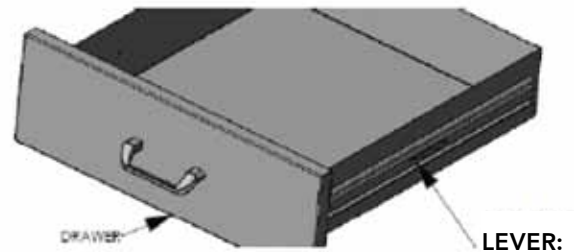


These must be installed before setting the counter top in place to allow access to the storage system door frame mounting bracket fasteners

To simplify the installation, start by removing the drawers and door. To remove the drawers, find the black lever on each side glide rail. One lever pushes up and the other one down to release the drawer from the glides.

The access door simply lifts off of the hinge pins.

Place the storage system frame in the cutout and secure it with 4 access door frame mounting brackets (Part No. 12 shown below, note the weld nut location), and 4 access door frame mounting screws (Part No. 5). There are 2 on each side.



STEP 8

Install the Countertop

With the help of an assistant or two, place the counter top in place jiggle it a little until the walls slip into place, and then secure the top with 2 wing nuts (Part No. 9) and clamps (Part No. 11) located under the counter top, at the front and rear.



PART NO. 12

SEDONA ISLAND ASSEMBLY INSTRUCTIONS

STEP 9

Install the Side Burner

We recommend a qualified, trained gas service technician perform all pipe fitting and gas leak test procedures prior to installing the refrigerator. Once installed there will be limited access to the gas piping. Before installing the side burner, familiarize yourself with the illustration on the next page.

Wrap the side burner manifold threads with Teflon tape, see Fig. 1 on page 11. Remove the 1/2" FIP fitting from the flexible hose and install it on the side burner manifold. Attach the stainless steel flexible hose to the 1/2" FIP fitting at the end of the side burner manifold.

Clear plastic replacement extension tubes are provided in the Open Me First box to drain spills and drain water from the side burner. Set the side burner in place in the counter top cutout. Be sure to keep the side burner wiring accessible to attach to the grill once it is installed. Route the tubes through the holes in the rear center of the island base for drainage out of the island.

On the bottom of the side burner locate the center Philips head screw on each side of the burner base. Remove the screw and install the side burner mounting bracket with it (Part No. 13, note weld nut position) flange up, as shown to the right. Screw the side burner mounting screw (Part No. 4) into the weld nut, and install the side burner mounting hex-nut (Part No. 3) on the screw. Tighten the screw up to the side burner bracket frame to secure the side burner in place. Use the hex nut to lock the screw into position.

STEP 10

Install the Grill

Locate and remove the plug from the 1/2" Tee fitting in the grill manifold to facilitate the side burner connection (see the drawing on the next page).

With the help of an assistant set the grill in place. Make sure to align the grill evenly and be sure it is fully supported on the mounting flanges. Before sliding the grill back completely, reach behind the grill and attach the electrical wiring from the side burner using the attached Molex connectors (See page 13).



SEDONA ISLAND ASSEMBLY INSTRUCTIONS

STEP 11

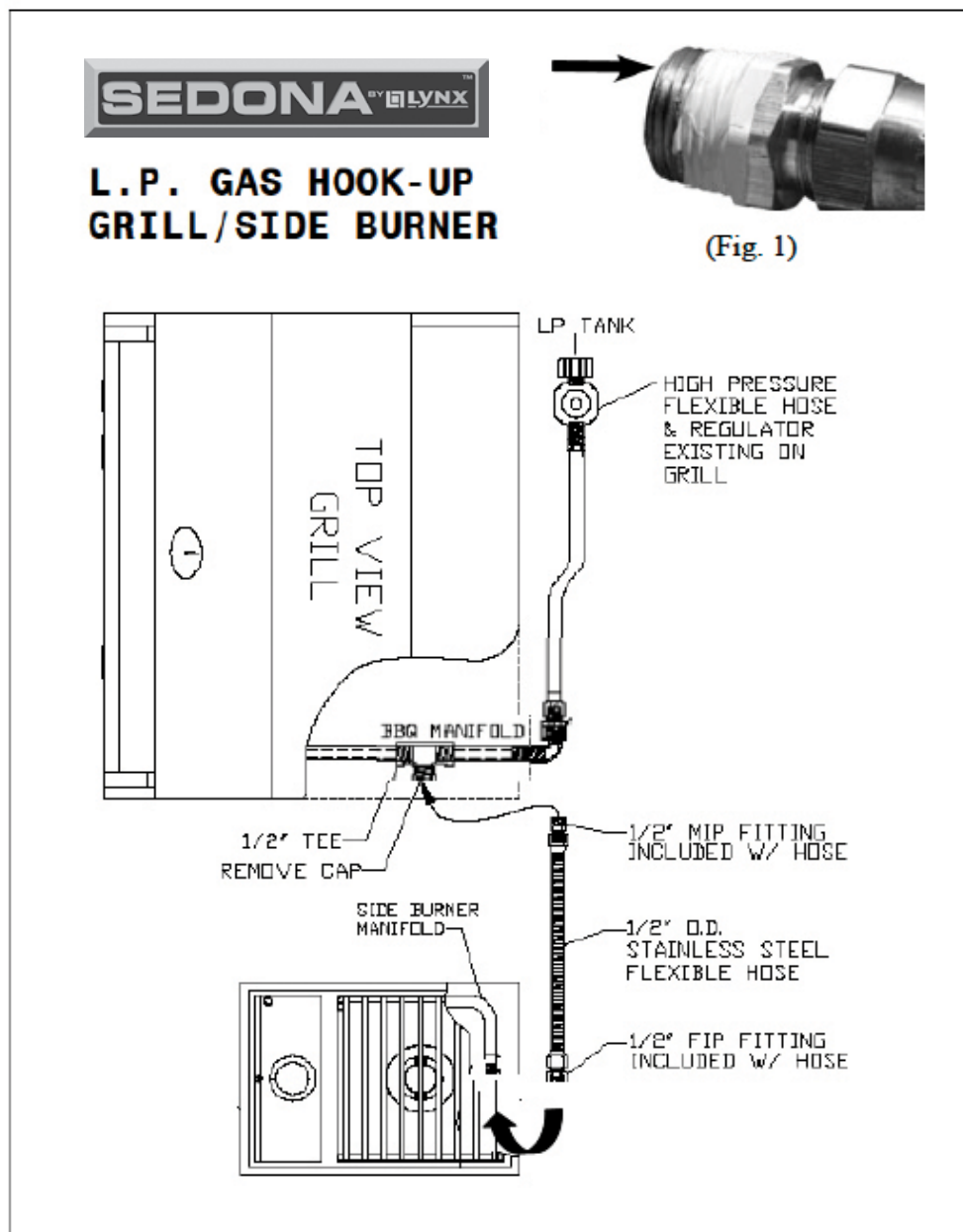
Making the Connections

We recommend a qualified, trained gas service technician perform all pipe fitting procedures and conduct a gas leak test prior to installing the refrigerator. Once installed there will be limited access to the gas piping.

Working from the refrigerator cutout, find the stainless steel flexible hose from the side burner. Remove the 1/2" fitting from the flexible hose and wrap the fitting with Teflon tape. Install the fitting into the Tee fitting on the grill manifold, then connect the flexible gas hose to the fitting. Tighten all fittings to ensure they are gas tight. Use a leak detection liquid on each threaded joint and check for gas leaks. See the following page for an alternate leak test method.

Do not check for leaks with an open flame.

Do not use sealant on any flare fittings.



SEDONA ISLAND ASSEMBLY INSTRUCTIONS

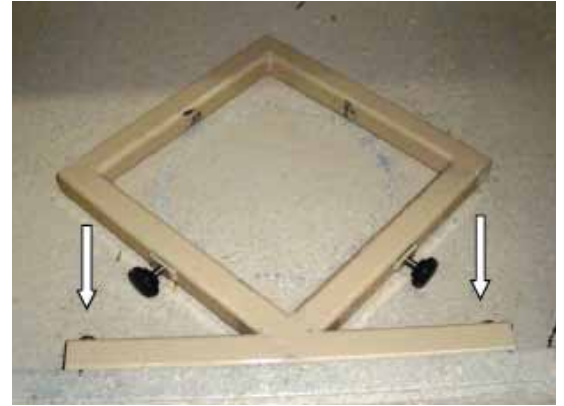
STEP 12

Installing the LP Tank

The LP Tank retention device can be secured to the door frame with two bolts (Part No. 6) and washers (Part No. 1).

The LP tank is rested in the retainer and the finger screws (Part No. 7) are tightened at the base of the tank securing it into position.

Connect the hose and regulator to the LP cylinder. Make sure all of the burner knobs are in the OFF position.



STEP 13

Leak Test All Fittings

Make a solution of 1 part liquid dish soap and 3 parts water being careful not to shake the solution.

Open the LP Cylinder and using a brush or spray bottle, apply the solution to all fittings at the stainless steel connector, the Tee fitting, the regulator and hose connections. Wait a moment and check for the formation of bubbles. Bubbles will indicate a gas leak that must be repaired before continuing.



WARNING

DO NOT CHECK FOR LEAKS
WITH AN OPEN FLAME!

STEP 14

Install the Refrigerator

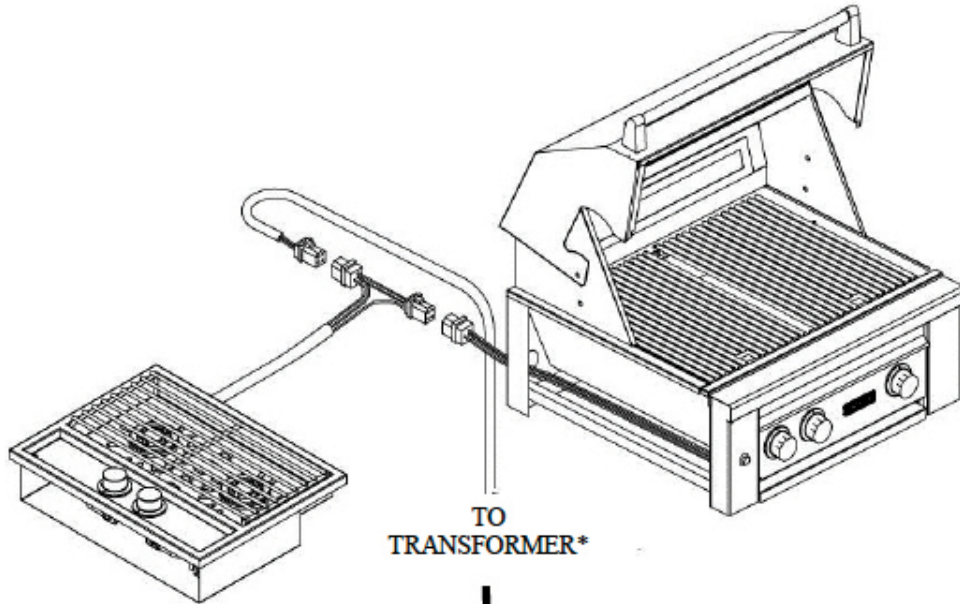
Install the refrigerator and level it according to the refrigerator instructions. Route the power cord to the outlet in the rear panel, but do not plug it in. You must wait 2-3 hours before plugging it into the outlet on the rear inside panel of the island.



SEDONA ISLAND ASSEMBLY INSTRUCTIONS

SEE STEP 9

Make the electrical connections as shown below, then plug the transformer into the electrical outlet on the rear panel.

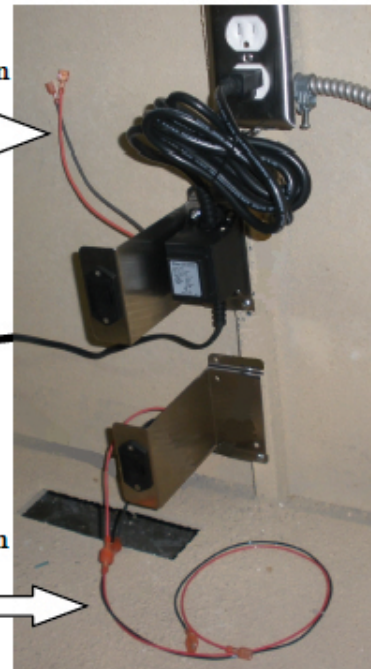


***Not actual installation, illustration is for demonstration purposes only.**

These connectors attach to the battery back up wires on the grill



These connectors attach to the battery back up wires on the side burner



SEDONA BY LYNX ISLAND PACKAGE LIMITED WARRANTY

I. Limited Warranty – Grill, Side-Burner, Doors, Drawers, and Refrigerator

For the warranty on the individual stainless steel island components, please see the warranties in their product Care & Use Manuals.

II. Limited One Year Warranty – Island Frame, Housing and Counter-top

The base, sides and counter-top of the island are warranted to be free from defects in material and workmanship, when subjected to normal domestic use and service, for a period of one (1) year from the original date of delivery. This warranty is limited to the repair or replacement of the defective parts.

III. Limitations & Exclusions

1. This Warranty shall apply to products purchased and located in the United States and Canada. Products must be purchased in the country where service is requested.
2. Warranty applies only to the original purchaser and may not be transferred.
3. Warranty is in lieu of all other warranties expressed or implied and all other obligations or liabilities related to the sale or use of its grill products.
4. Warranty shall not apply and Lynx is not responsible for damage resulting from misuse, abuse, alteration of or tampering with the appliance, accident, hostile environment, flare-up fires, improper installation, or installation not in accordance with the instructions contained in this manual, or the local codes.
5. Lynx shall not be liable for incidental, consequential, special or contingent damages resulting from its breach of this written warranty or any implied warranty.
6. Some states do not allow limitations on how long an implied warranty lasts, or the exclusions of or limitations on consequential damages. This warranty gives you specific legal rights and you may have other rights which vary from state to state.
7. No one has the authority to add to or vary Lynx's warranty, or to create for Lynx any other obligation or liability in connection with the sale or use of its products.
8. Limited to the replacement of defective parts with the owner paying all other costs including labor.

IV. What is not covered: Lynx shall not be responsible for and shall not pay for the following:

1. Installation or start-up, damages or problems caused by improper installation or use;
2. Service by an unauthorized service provider;
3. Damage or repair due to service by an unauthorized service provider or use of unauthorized parts;
4. Warranty does not apply to products installed in any commercial or non-residential application. Examples of excluded applications include, but are not limited to day care centers, schools, bed and breakfast centers, churches, private clubs, fire stations, club houses, common areas in multi-family dwellings, restaurants, hotels, nursing homes, food service locations and institutional food service locations.
5. To correct normal adjustments or settings, due to improper installation, commissioning or local gas supply properties;
6. Shipping and handling costs, export duties, installation, removal, or re-installation cost.
7. Display models are generally sold "as is." If you have purchased a display model, please be advised that it is sold "as is" and that it is subject to the following warranty exclusions: any exterior or cosmetic damage is nonwarrantable; any missing components will be replaced at consumers expense; major handling damage to manifold, valve and ignition system will be serviced at consumer's expense; all other warranty's (standard warranty) will remain in effect.
8. The cost of a service call to diagnose trouble.

SEDONA ISLANDS REPLACEMENT PARTS LISTS

L1600G

PART NO.	QTY.	DESCRIPTION
34312	1	Top Panel, L1600 Sedona Island, Gray
34297	1	Front Panel, L2600/L1600 Sedona Island, Gray
34320	1	Side Panel, Left, L1600/L1500 Sedona Island, Gray
34321	1	Side Panel, Right, L1600/L1500 Sedona Island, Gray
34324	1	Back Panel, L1600 Sedona Island, Gray
34310	1	Bottom Panel, L2600/L2500/L1600 Sedona Island, Gray
34332	4	Mounting Clamp, Side Panel, Sedona Islands
34333	2	Mounting Clamp, Counter Top, Sedona Islands
80763	1	Touch-Up Kit, L1600/L1500, Gray
90216	1	Sedona Island Hardware Kit

L1600S

PART NO.	QTY.	DESCRIPTION
34314	1	Top Panel, L1600 Sedona Island, Sandalwood
34299	1	Front Panel, L2600/L1600 Sedona Island, Sandalwood
34322	1	Side Panel, Left, L1600/L1500 Sedona Island, Sandalwood
34323	1	Side Panel, Right, L1600/L1500 Sedona Island, Sandalwood
34325	1	Back Panel, L1600 Sedona Island, Sandalwood
34311	1	Bottom Panel, L2600/L2500/L1600 Sedona Island, Sandalwood
34332	4	Mounting Clamp, Side Panel, Sedona Islands
34333	2	Mounting Clamp, Counter Top, Sedona Islands
80764	1	Touch-Up Kit, L1600/L1500, Sandalwood
90216	1	Sedona Island Hardware Kit

L1500G

PART NO.	QTY.	DESCRIPTION
34316	1	Top Panel, L1500 Sedona Island, Gray
34317	1	Front Panel, L1500 Sedona Island, Gray
34320	1	Side Panel, Left, L1600/L1500 Sedona Island, Gray
34321	1	Side Panel, Right, L1600/L1500 Sedona Island, Gray
34328	1	Back Panel, L1500 Sedona Island, Gray
34330	1	Bottom Panel, L1500 Sedona Island, Gray
34332	4	Mounting Clamp, Side Panel, Sedona Islands
34333	2	Mounting Clamp, Counter Top, Sedona Islands
80763	1	Touch-Up Kit, L1600/L1500, Gray
90216	1	Sedona Island Hardware Kit

L1500S

PART NO.	QTY.	DESCRIPTION
34318	1	Top Panel, L1500 Sedona Island, Sandalwood
34319	1	Front Panel, L1500 Sedona Island, Sandalwood
34322	1	Side Panel, Left, L1600/L1500 Sedona Island, Sandalwood
34323	1	Side Panel, Right, L1600/L1500 Sedona Island, Sandalwood
34329	1	Back Panel, L1500 Sedona Island, Sandalwood
34331	1	Bottom Panel, L1500 Sedona Island, Sandalwood
34332	4	Mounting Clamp, Side Panel, Sedona Islands
34333	2	Mounting Clamp, Counter Top, Sedona Islands
80764	1	Touch-Up Kit, L1600/L1500, Sandalwood
90216	1	Sedona Island Hardware Kit

SEDONA ISLANDS REPLACEMENT PARTS LISTS

L2600G

PART NO.	QTY.	DESCRIPTION
34296	1	Top Panel, L2600 Sedona Island, Gray
34297	1	Front Panel, L2600/L1600 Sedona Island, Gray
34304	1	Side Panel, Left, L2600/L2500 Sedona Island, Gray
34305	1	Side Panel, Right, L2600/L2500 Sedona Island, Gray
34308	1	Back Panel, L2600/L2500 Sedona Island, Gray
34310	1	Bottom Panel, L2600/L2500/L1600 Sedona Island, Gray
34332	4	Mounting Clamp, Side Panel, Sedona Islands
34333	2	Mounting Clamp, Counter Top, Sedona Islands
80761	1	Touch-Up Kit, L2600/L2500, Gray
90216	1	Sedona Island Hardware Kit

L2600S

PART NO.	QTY.	DESCRIPTION
34298	1	Top Panel, L2600 Sedona Island, Sandalwood
34299	1	Front Panel, L2600/L1600 Sedona Island, Sandalwood
34306	1	Side Panel, Left, L2600/L2500 Sedona Island, Sandalwood
34307	1	Side Panel, Right, L2600/L2500 Sedona Island, Sandalwood
34309	1	Back Panel, L2600/L2500 Sedona Island, Sandalwood
34311	1	Bottom Panel, L2600/L2500/L1600 Sedona Island, Sandalwood
34332	4	Mounting Clamp, Side Panel, Sedona Islands
34333	2	Mounting Clamp, Counter Top, Sedona Islands
80762	1	Touch-Up Kit, L2600/L2500, Sandalwood
90216	1	Sedona Island Hardware Kit

L2500G

PART NO.	QTY.	DESCRIPTION
34300	1	Top Panel, L2500 Sedona Island, Gray
34301	1	Front Panel, L2500 Sedona Island, Gray
34304	1	Side Panel, Left, L2600/L2500 Sedona Island, Gray
34305	1	Side Panel, Right, L2600/L2500 Sedona Island, Gray
34308	1	Back Panel, L2600/L2500 Sedona Island, Gray
34310	1	Bottom Panel, L2600/L2500/L1600 Sedona Island, Gray
34332	4	Mounting Clamp, Side Panel, Sedona Islands
34333	2	Mounting Clamp, Counter Top, Sedona Islands
80761	1	Touch-Up Kit, L2600/L2500, Gray
90216	1	Sedona Island Hardware Kit

L2500S

PART NO.	QTY.	DESCRIPTION
34302	1	Top Panel, L2500 Sedona Island, Sandalwood
34303	1	Front Panel, L2500 Sedona Island, Sandalwood
34306	1	Side Panel, Left, L2600/L2500 Sedona Island, Sandalwood
34307	1	Side Panel, Right, L2600/L2500 Sedona Island, Sandalwood
34309	1	Back Panel, L2600/L2500 Sedona Island, Sandalwood
34311	1	Bottom Panel, L2600/L2500/L1600 Sedona Island, Sandalwood
34332	4	Mounting Clamp, Side Panel, Sedona Islands
34333	2	Mounting Clamp, Counter Top, Sedona Islands
80762	1	Touch-Up Kit, L2600/L2500, Sandalwood
90216	1	Sedona Island Hardware Kit

Lynx Professional Grills
5895 Rickenbacker Rd.
Commerce, CA 90040
Service: (888) Buy-Lynx (888-289-5969)
Fax: (323) 838-1778
www.Lynxgrills.com



PROFESSIONAL GRILLS